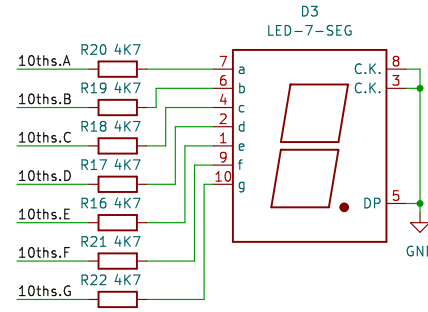
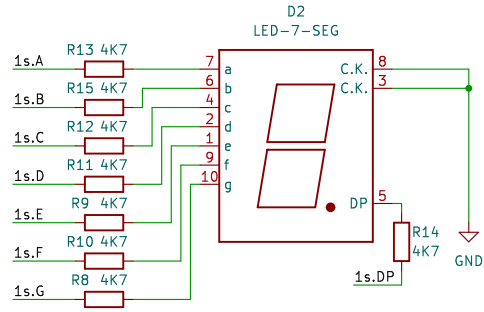
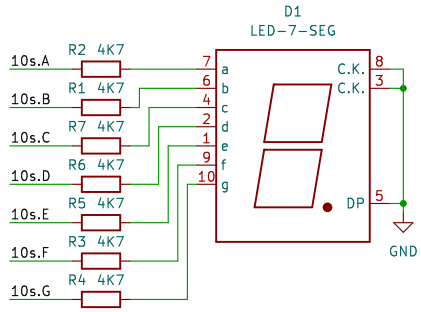
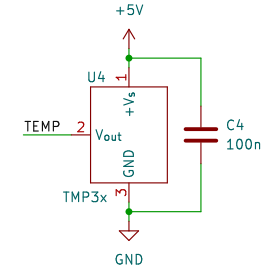


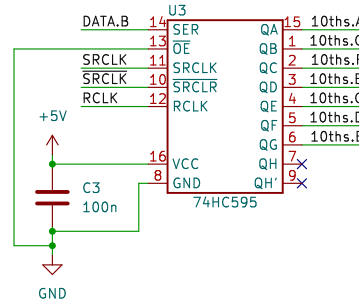
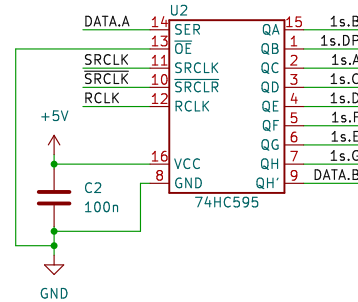
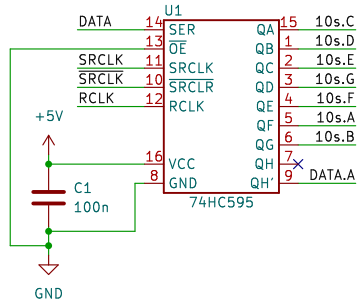
7-Segment LED Display



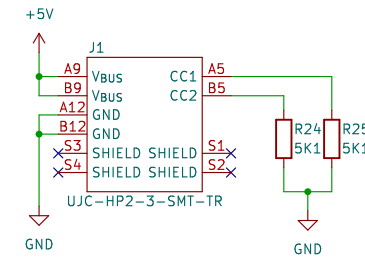
Temperature Sensor



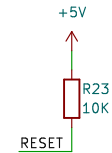
Display Shift Registers



USB Power



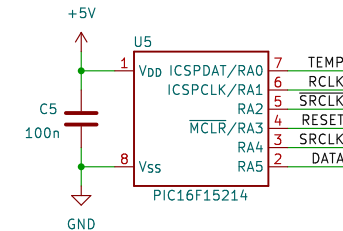
MCU Reset Control



NOTES:

- * Component assignment order dictated by board layout
- * Assignment of shift register output pins to display elements facilitate board routing
- * All 100nF capacitors to be placed as close as possible to the supply pins for all ICs
- * Either a TMP36 or TMP37 can be used for the TMP3x component
- * All current limiting resistors sized to allow for a maximum current of 40 mA per display
- * 5K1 Resistors required as part of the USB-C specification

Microcontroller



© 2024 – The Broken Engineer

This source describes Open Hardware and is licensed under the CERN-OHL-S v2. You may redistribute and modify this source and make products using it under the terms of the CERN-OHL-S v2 (https://ohwr.org/cern_oh_s_v2.txt).

Sheet:

File: Desktop Thermometer USB-C.kicad_sch

Title: Desktop Thermometer – USB 2 Version

Size: A4

Date:

KiCad E.D.A. kicad 7.0.10

Rev: 1.0-A

Id: 1/1